






# 1.Product Overview

## 1.1 Specification

Model	TC-310FA-BNV1
Available Color	Black
Material	Body: SGCC , Appearance: Plastic
Dimension	W x D x H = 180 x 445 x 352mm / 7.1 x 17.5 x 13.9 inch
Net Weight	4.0Kg
M/B Supports	ITX、Micro-ATX
5.25" Drive Bays	1
3.5" Drive Bays	2
2.5" Drive Bays	3
Cooling System Support	Front: 80/90/120mm Fan x 1 Rear: 80/90mm Fan x 1
Expansion Slot	4
I/O Connectors	USB 3.0 x 1, USB 2.0 x 1, Mic-in x 1, Audio out x 1 ( supports AC97/HD Audio)
Power Supply Support	PS/2 P4 ATX
Maximum CPU Cooler Height	146mm
Maximum VGA Length	360mm

\* Product specifications are subject to change without notice

## 1.2 Accessory

Figure	Parts Name	Q'ty	Used for
	Motherboard Stand off	8	M/B Tray
	#6-32*6mm screw	16	M/B Tray, Power Supply
	M3*5mm screw	8	Optical Drive, 2.5" HDD
	Cable tie	2	Cable Management
	#6-32 * 5mm screw	4	3.5" HDD

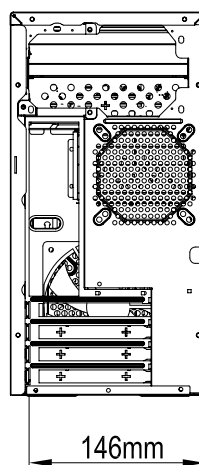
### Warning!

#### 1. CPU cooler installation

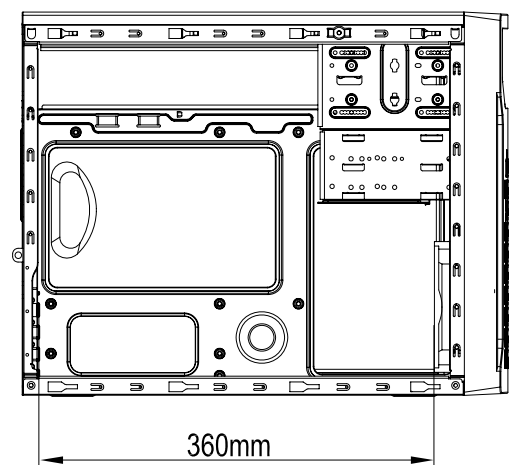
Before start to install the CPU, please ensure that your CPU-cooler does not exceed 146mm height. Otherwise, it might cause damage to case's side panel and your CPU cooler.

#### 2. VGA card installation

Before start to install the VGA Card, please ensure that your VGA Card does not exceed 360mm length. Otherwise, it might cause damage to your VGA Card.

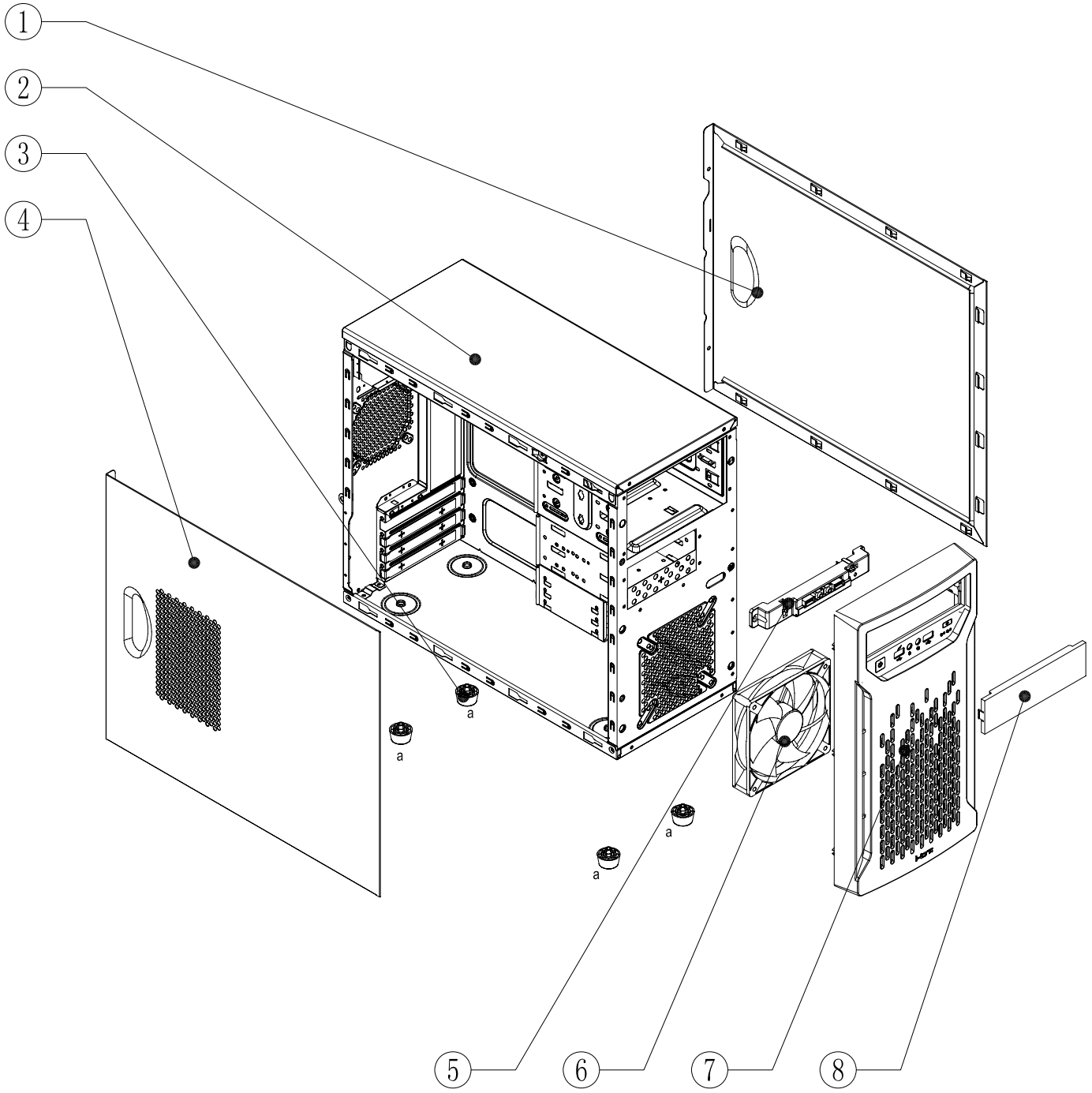


Maximum CPU Cooler Height:146mm



Maximum VGA Card Length:360mm

# Exploded View



Item	Parts Name	Q'ty
①	Right Side Panel	1
②	Main Chassis	1
③	Plastic Feet	4 (a)
④	Left Side Panel	1
⑤	Front I/O Connectors Module	1
⑥	120mm Case Fan	1
⑦	Front Panel	1
⑧	Optical Drive Shield	1